



**VERSATILE  
MULTI-CHANNEL  
RECEIVERS**

The **CENTURION NOVA** system incorporates code hopping technology to offer the ultimate security in a remote control. A unique randomly changing code is transmitted with each operation making it impossible to duplicate the system. The receiver uses self-learning technology, making it quick and easy to set up. For the best results, we recommend that the receiver be mounted as high up as possible, and preferably away from metal objects and other radio equipment. The receiver enclosure is weatherproof, but any holes drilled during installation should be properly sealed. The antenna wire has been tuned to an optimum length, and should not be modified.

#### CONFIGURING THE SYSTEM:

##### Transmitter:

Each transmitter is uniquely coded at the factory. **It is NOT necessary to open the transmitter, except when changing the battery.** To replace the battery, rotate the inner casing, and remove from the outer clip. Using a coin, prise apart the inner casing to expose the battery. Replace with type GP23 or similar.

##### Receiver:

Open the receiver housing by inserting a screwdriver into the slot at the base and twisting (See diagram overleaf).

##### For pulsed operation:

- 1) Locate the "LEARN" pins. **WITH POWER ON, bridge the two pins with the shunt provided. The red LED will now illuminate.**
- 2) Press the required button on the transmitter. The red LED will flash once, indicating that the button has been learned as a momentary button. If the red LED flashes rapidly, the memory is full, and the button cannot be memorised.
- 3) If further buttons are to be memorised, repeat from step two. If not, remove the bridge from the "LEARN" pins. The system is now ready for use.

##### For latched operation:

- 1) Locate the "ERASE" pins. **WITH POWER OFF, bridge the two pins with the shunt provided. Power up the unit. The red LED will now illuminate.**
- 2) Press the required button on the transmitter. The red LED will flash twice, indicating that the button has been learned as a latched button. If the red LED flashes rapidly, the memory is full, and the button cannot be memorised.
- 3) If further buttons are to be memorised, repeat from step two. If not, remove the bridge from the "ERASE" pins. The system is now ready for use.

- **When programming a multi button transmitter to a multichannel receiver, button one will operate channel one, button two will operate channel two, etc.**
- **The single channel receiver is capable of memorizing up to 62 buttons. The multichannel receiver is capable of memorizing up to 250 buttons.**

##### Erasing the memory:

With power on, the memory may be erased by bridging the "ERASE" pins with the shunt provided. The red LED will begin to flash. During this time, removing the shunt will cancel the erase process. After twelve flashes, the red LED will remain illuminated. Remove the shunt, and the red LED will flash rapidly as the memory is erased.



**This procedure will remove all existing users from the system memory.**

##### Autolearn Mode: (Pulsed operation only)

The receiver can be set into Autolearn Mode by bridging the "Learn" pins **PRIOR to applying power.** Each valid signal received in this mode will both activate the contact, AND be stored in memory. This is useful when setting up systems with a large number of transmitters. The system can be left in Autolearn Mode for a period of time, and will automatically memorise the transmitters as they are used. Removing the jumper will cancel the Autolearn Mode.



**When using Autolearn Mode, any NOVA transmitters in the nearby vicinity will be memorised. This MAY include transmitters used in other nearby areas.**

##### Received signal indicator:

If a signal is received from an unauthorized button, the red LED will flash briefly. This indicates that the transmitter is functioning, but has not been learned into the system.

**The following information applies only to products sold in the USA and Canada:**  
**FCC Information to Users @ FCC 15.21 & 15.105**

##### For Class B Unintentional Radiators:

This equipment has been tested and found to comply with the limits for Class B digital devices, pursuant to Part 15 of the FCC Rules. These limits are designed to provide reasonable protection against harmful interference in a residential installation. This equipment generates, uses, and can radiate radio frequency energy and, if not installed and used in accordance with the instruction manual, may cause harmful interference to radio communications. However, there is no guarantee that interference will not occur in a particular installation. If this equipment does cause harmful interference to radio or television reception, which can be determined by turning the equipment off and on, the user is encouraged to try to correct the interference by one or more of the following measures:

- Reorient or relocate the receiving antenna.
- Increase the separation between the equipment and receiver.
- Connect the equipment into an outlet on a circuit different from that to which the receiver is connected.

Consult the dealer or an experienced radio/TV technician for help.

**Warning to Users @ FCC 15.21 & 15.105**



**Changes or modifications not expressly approved by Centurion Systems (Pty) Ltd. could void the user's authority**

##### FCC Declaration of Conformity Statement

Product name: Nova Single Channel and Multi Channel receivers.  
(RX1NH1433 & RX4NH1433)

This device complies with part 15 of the FCC Rules, Class B. Operation is subject to the following two conditions:

- (1) This device may not cause harmful interference, and
- (2) This device must accept any interference received, including interference that may cause undesired operation.

Party responsible for compliance  
Centurion Systems (Pty) Ltd  
Unit 13 Northlands Production Park  
Intersection Epsom Ave and Newmarket Rd  
Northriding

This Class B digital apparatus complies with Canadian ICES-003.

Cet appareil numérique de la classe B est conforme à la norme NMB-003 du Canada.



## Remove cover

1. Insert screwdriver into slot.
2. Twist screwdriver.

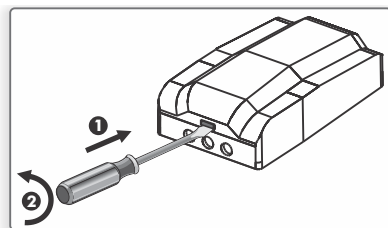


Figure 1

3. Remove cover

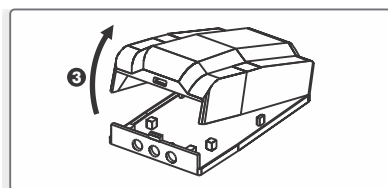


Figure 2

## Mount unit

1. Mark position of unit against mounting surface.
2. Using a 5mm masonry bit, drill holes into mounting surface.
3. Mount the unit using the fasteners supplied.

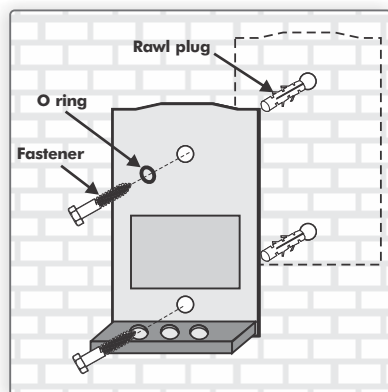


Figure 3

## Wiring

1. Use a 6mm drill bit to open the required cable entry hole.
2. Fix cable to wall using cable saddles.
3. Seal all holes with silicon sealant.

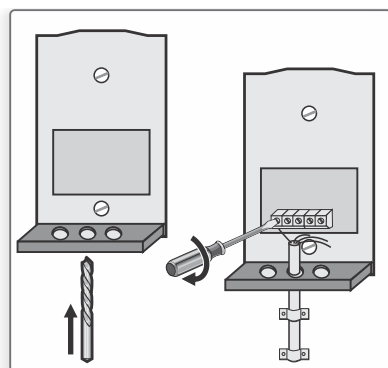


Figure 4

## Connections

1. Supply the unit with 12V AC/DC.
2. The output contact is potential-free.



**Some applications may require an external link between NEG and COM.**

3. Extend the antenna wire fully for best results.

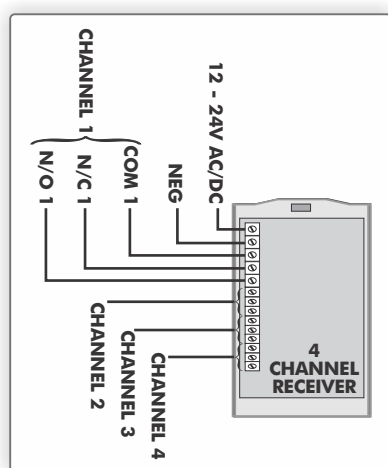


Figure 5

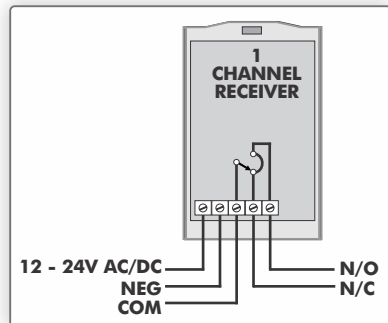


Figure 6

## Replace cover

1. Hook the top edge of the cover onto the top of the unit.
2. Lower the cover and press securely into position.

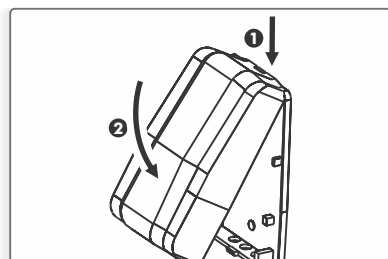


Figure 7